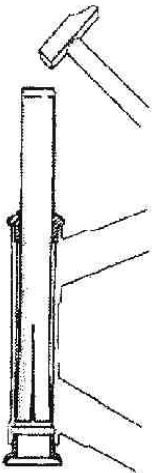


Cobra Tools

**CUTTING TOOLS
COMPATIBLE WITH
CAMPAGNOLO.**

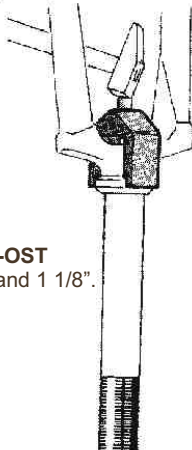
**HEAD CUP
REMOVER**



D-135 for 1" or
1 1/8" H/Set

D-035-OST-2
for 1 1/4" H/Set.

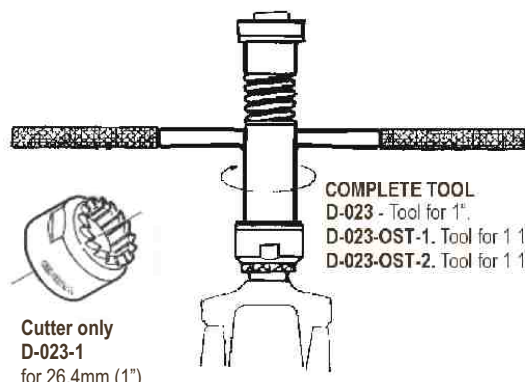
D-034-OST
for 1" and 1 1/8".



CROWN RACE REMOVER

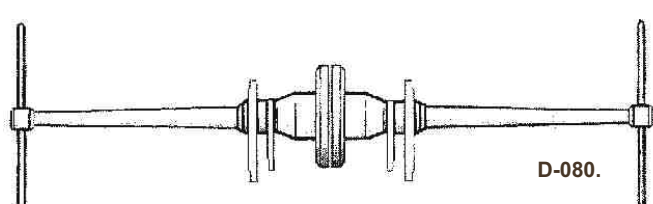
COMPLETE TOOL
D-023 - Tool for 1"
D-023-OST-1. Tool for 1 1/8"
D-023-OST-2. Tool for 1 1/4"

Cutter only
D-023-1
for 26.4mm (1")
D-023-1-OST-1
for 30.1mm (1 1/8")



FORK CROWN CUTTER

**FORK BLADES, REAR FRAME
ENDS, ALIGNMENT TOOL.**



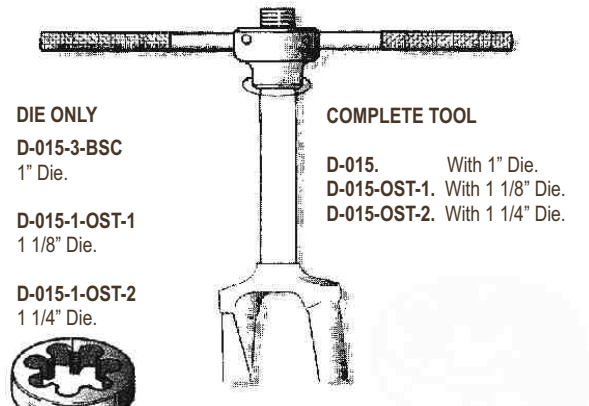
D-080.

DIE ONLY
D-015-3-BSC
1" Die.

D-015-1-OST-1
1 1/8" Die.

D-015-1-OST-2
1 1/4" Die.

COMPLETE TOOL
D-015. With 1" Die.
D-015-OST-1. With 1 1/8" Die.
D-015-OST-2. With 1 1/4" Die.



STEERING THREADING TOOL

HEADSET CUTTER AND PRESS

COMPLETE TOOL
D-022 for 1"
D-022-OST-1 for 1 1/8"
D-022-OST-2 for 1 1/4"

CUTTERS ONLY
D-022-1. Reaming
and Facing Cutter
for 1" Headset.
D-022-1-OST-1.
for 1 1/8" Headset.
D-022-OST-2.
for 1 1/4" Headset.

HEADSET CUTTER AND PRESS

BOTTOM BRACKET FACER

**D-026
COMPLETE TOOL**

D026-1.
Face Cutter
Only Available

BOTTOM BRACKET THREADER

**D-017
COMPLETE
TOOL.**

BOTTOM BRACKET CUTTERS ONLY.
D-017- 3 Tap 1.370" x 24. TPI BSC. Right Hand.
D-017- 4 Tap 1.370" x 24. TPI BSC. Left Hand.
D-017- 1 Tap for 36 x 24F. Right Hand Italian Size.

